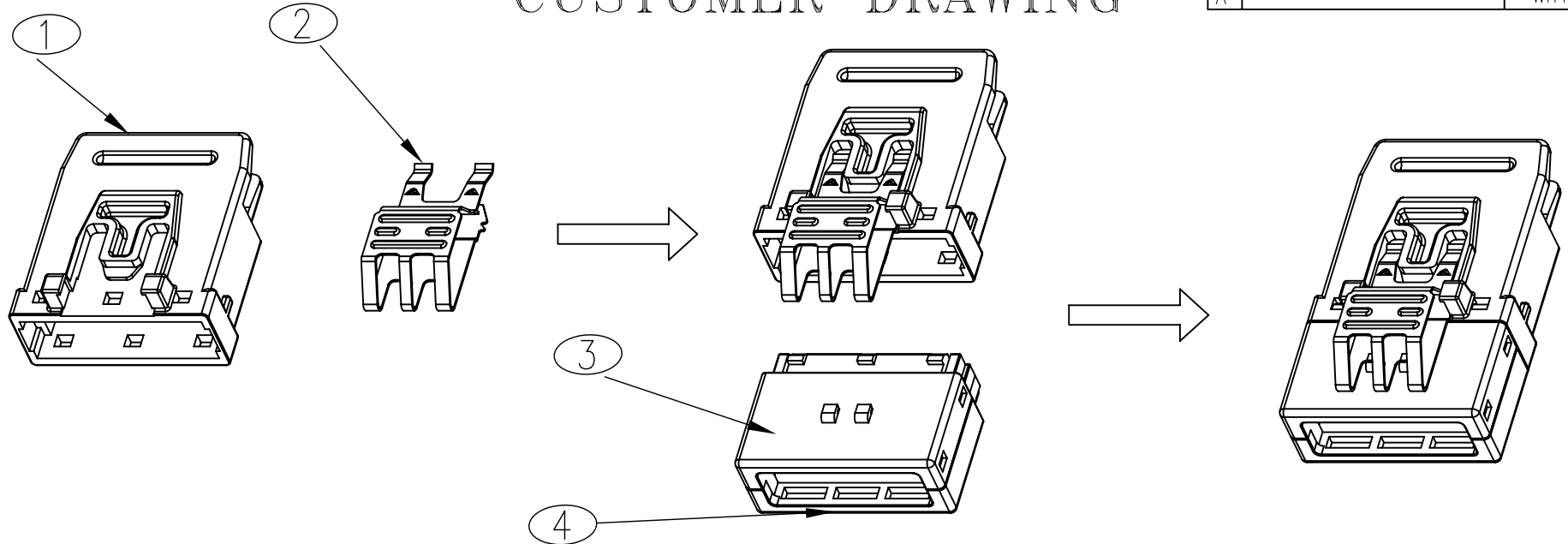


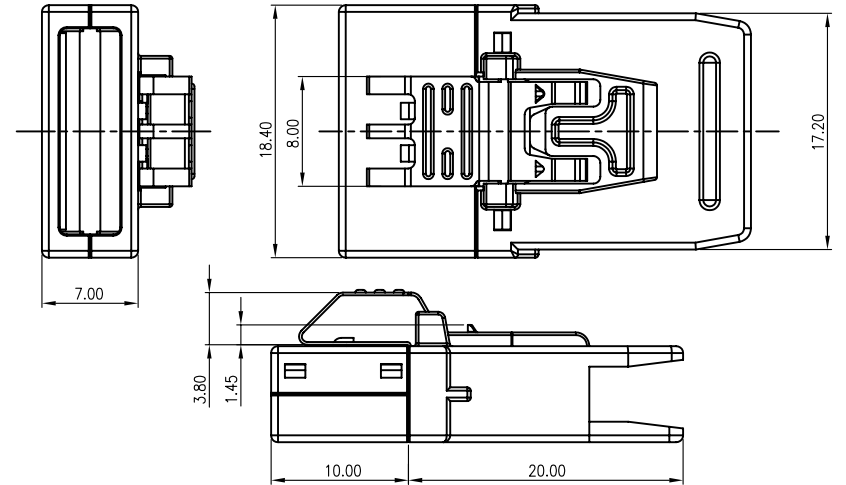
PART NO. SEE TABLE

# CUSTOMER DRAWING

REVISIONS			
LTR	DESCRIPTION	Drawing	DATE
A	ease for Manufacture	Initial Rel	09/22'07



4	020-01-00317 (NO ASSEMBLY)	020-02-00098	BACK SHELL(BOTTOM)	1	ABS
3		020-02-00101	BACK SHELL(TOP)	1	ABS
2		020-06-00119	SPRING	1	SUS
1		020-02-00097	FRONT SHELL	1	ABS
ITEM	P/N		DESCRIPTION	Q'TY	MATERIAL



NOTES:

- MATERIAL:  
HOUSING: ABS+30%G/F UL94V-0, COLOR: BLACK  
SPRING: SUS 301-H T=0.20±0.01mm
- PRODUCT SPECIFICATION REFERENCE TO \*\*\*\*\*.
- PACKAGING SPECIFICATION REFERENCE TO \*\*\*\*\*.

DIMENSION ARE MILLIMETERS  
TOLERANCES ARE :  
DECIMALS  
.X ± 0.30  
.XX ± 0.25  
ANGLE:  
X ± 1°

APPROVALS		DATE
DRAWN	WITTY	09/22/07
CHECKED		
APPROVALS		

TITLE: MINI SAS 36P SHELL AND SPRING (NO ASSEMBLY)			
SIZE	SCALE :	DRAWING NO.	REV.
mm	1 : 1	000534	A